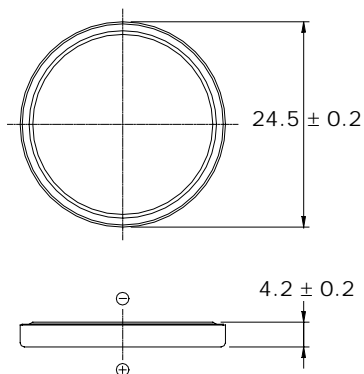
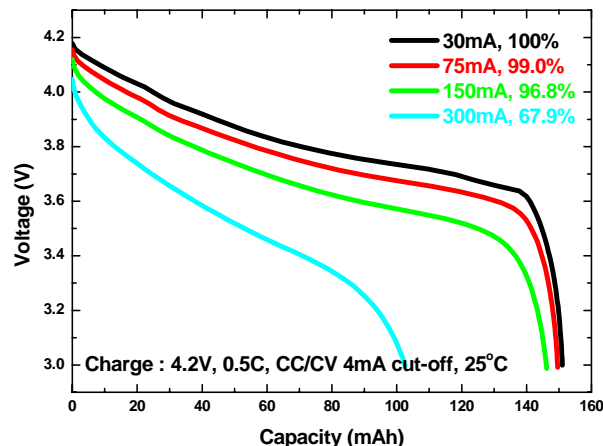


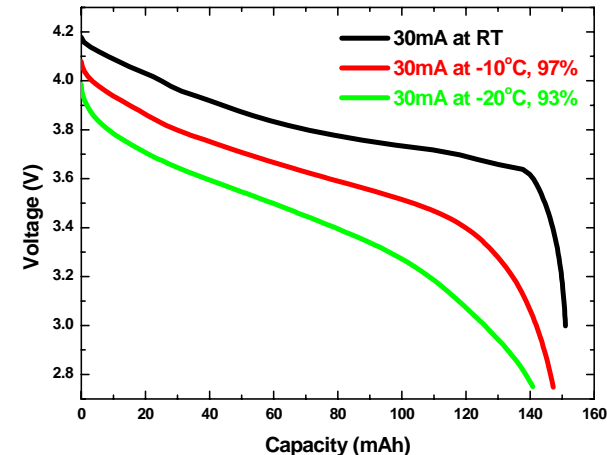
## Dimension (mm) \*1



## Discharge Characteristics I



## Discharge Characteristics II



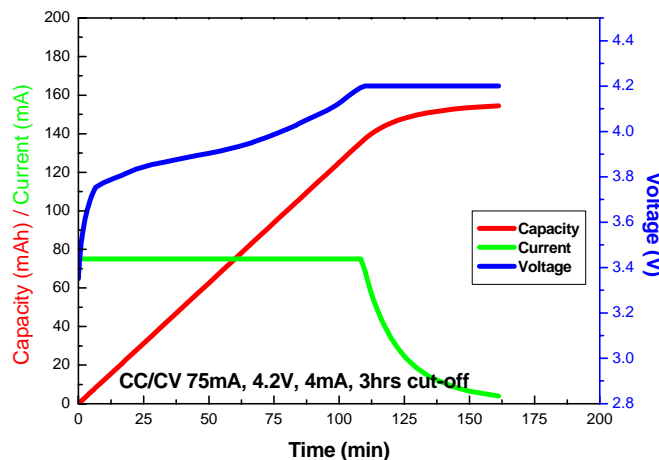
## Specification

Nominal Voltage	3.7 V
Nominal Capacity *2	150 mAh
Dimension (mm)	4.2 x 24.5
Weight( Approx.)	5.4 g
Max. Discharge Current	2 CmA (300 mA)

\*1 Dimensions of a fresh battery

\*2 Discharged at 0.2CmA(30mA), 3V cut-off

## Charge Characteristics



## Cycle Life Characteristics

